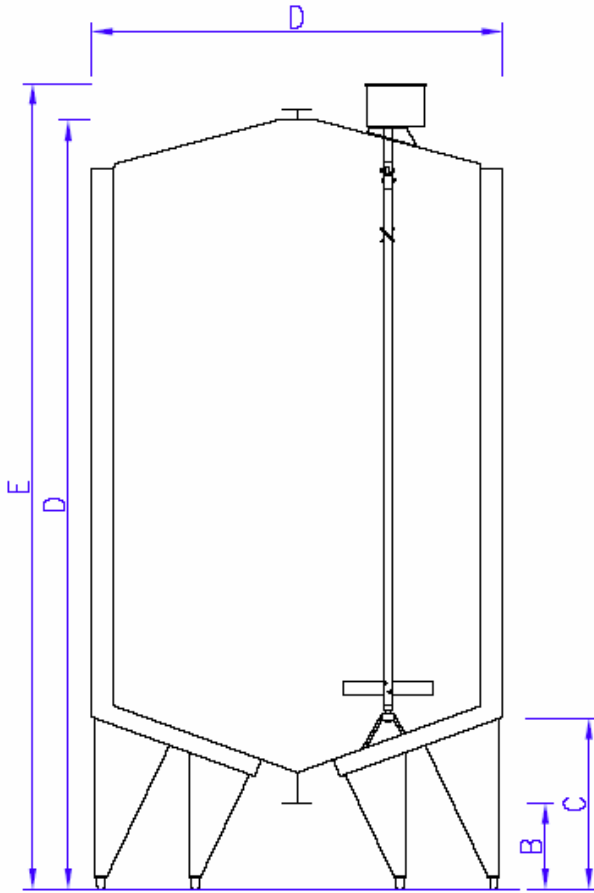


TANK N° 2007008



Type:

CIP tank
Mixing tank
Storage tank

Number of feet:

3
4

Agitator:

Yes No

Info:

Type:
3Ph. 400V – 50Hz
kW
A

Manwhole:

Yes No

Isolated:

Yes No

Cooling medium:

Icewater Glycol

Double jacket:

Yes No

Extra equipment:

-
-
-
-

A. Diameter tank:

700 mm

B. Height inlet:

750 and
1200mm

C. Height feet:

600 mm

D. Height tank:

1600 mm

E. Total Height with manhole:

1800 mm

TANK N° 2007008

PICTURES:

