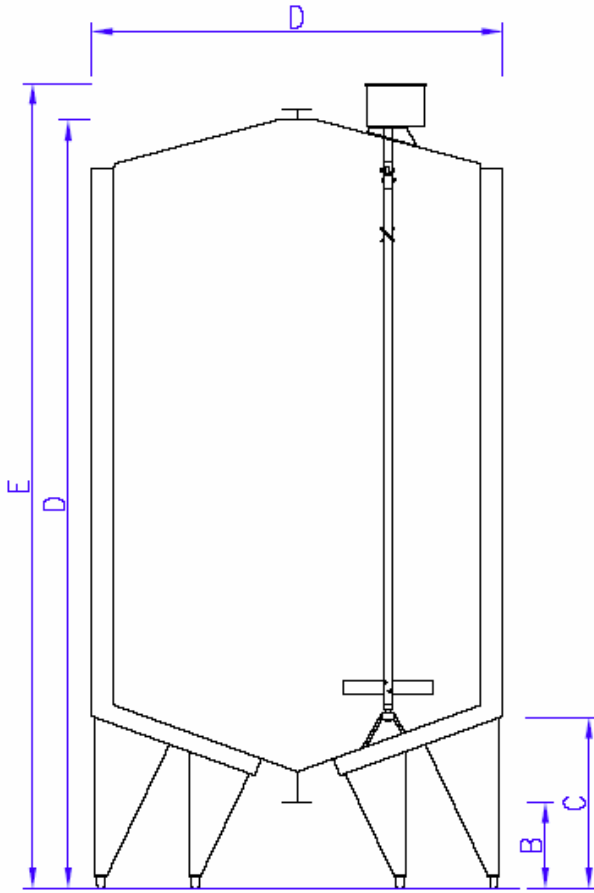


TANK N° 2008008



<u>Type:</u>	CIP tank	
	Mixing tank	
	Storage tank	
<u>Number of feet:</u>	3	
	4	
<u>Agitator:</u>	Yes	No
<u>Info:</u>	Type:	
	3Ph. 400V – 50Hz	
	kW 0.37	
	A	
<u>Manwhole:</u>	Yes	No
<u>Isolated:</u>	Yes	No
<u>Cooling medium:</u>	Icewater	Glycol
<u>Double jacket:</u>	Yes	No
<u>Extra equipment:</u>	- ° 2002	
	-	
	-	
	-	

A. <u>Diameter tank:</u>	2300 mm
B. <u>Height inlet:</u>	470 mm
C. <u>Height feet:</u>	850 mm
D. <u>Height tank:</u>	2720 mm
E. <u>Total Height with agitator:</u>	3100 mm

TANK N° 2008008

PICTURES:



TANK N° 2008008



TANK N° 2008008

