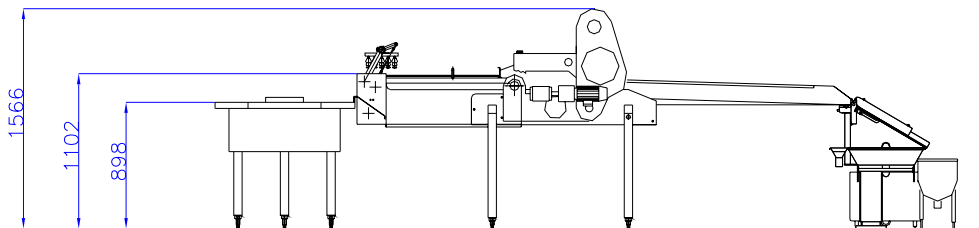
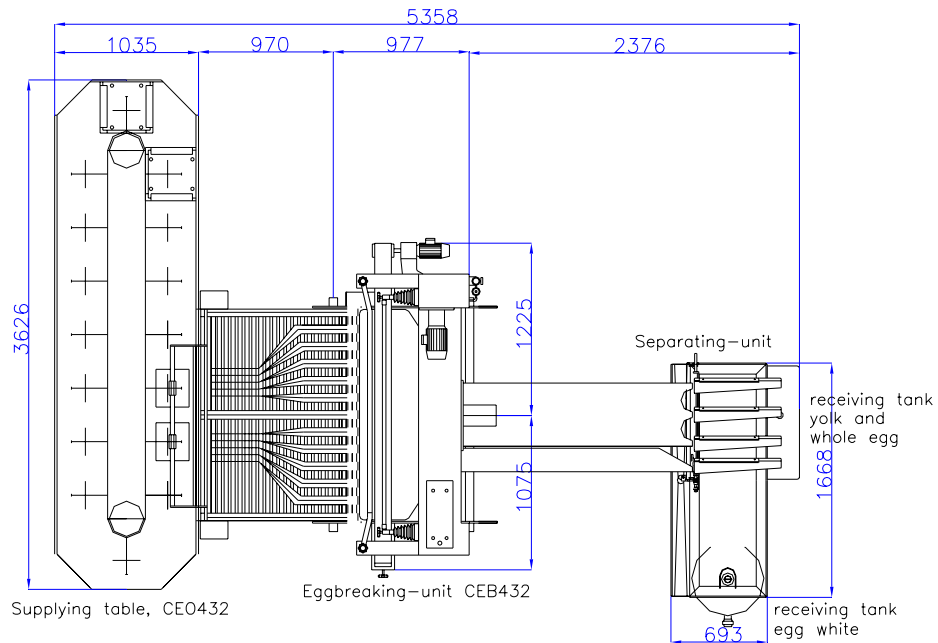


**EGG BREAKING AND SEPARATING MACHINE CEM 432  
WITH AUTOMATIC LOADING TABLE CEO 432**





## TYPE: CEM 432 + CEO 432

Capacity:	max. 43.200 eggs per hour
Electricity:	3ph. 400V+N+PE 1.67 kW
Air consumption:	600L/min @ 5-6 bar
Cold water:	1L/min