

CENTRIFUGE FOR EGG SHELLS AND WHOLE EGG TYPE C430-V and C430V-RB



MODEL C430-V: Ideal to use in combination with the egg breaking machines, in order to recuperate the egg white remaining in the shells and to reduce the volume of the shells simultaneously. The rests of egg whites will be recuperated up to 98 % and the volume of the shells will be reduced by 75 %.

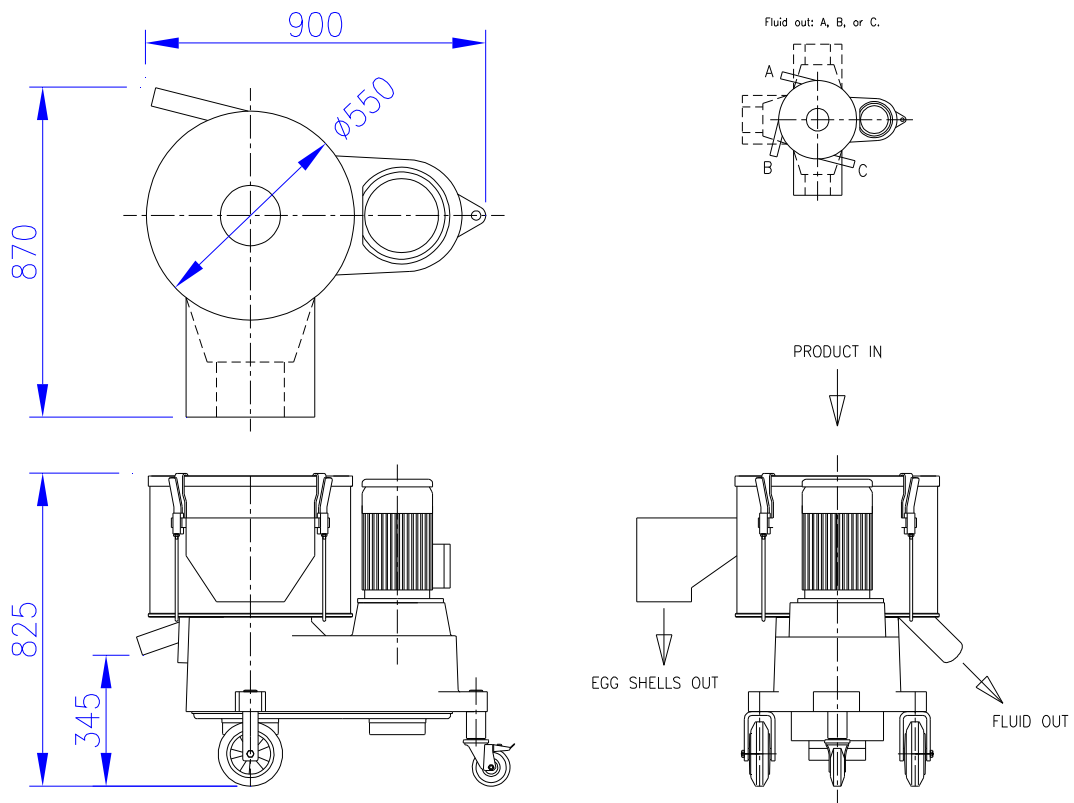
C430-V → max. capacity : 120.000 – 140.000 shells/hour

Voltage: 3ph. 400V + PE
Motor: 4kW

MODEL C430-V RB: This model is identical to the C-430 (V) with the addition of a larger feeding table and a feeding screw with adjustable speed, which allows feeding without limit and without overloading the machine. Specially for processing whole eggs for technical products.

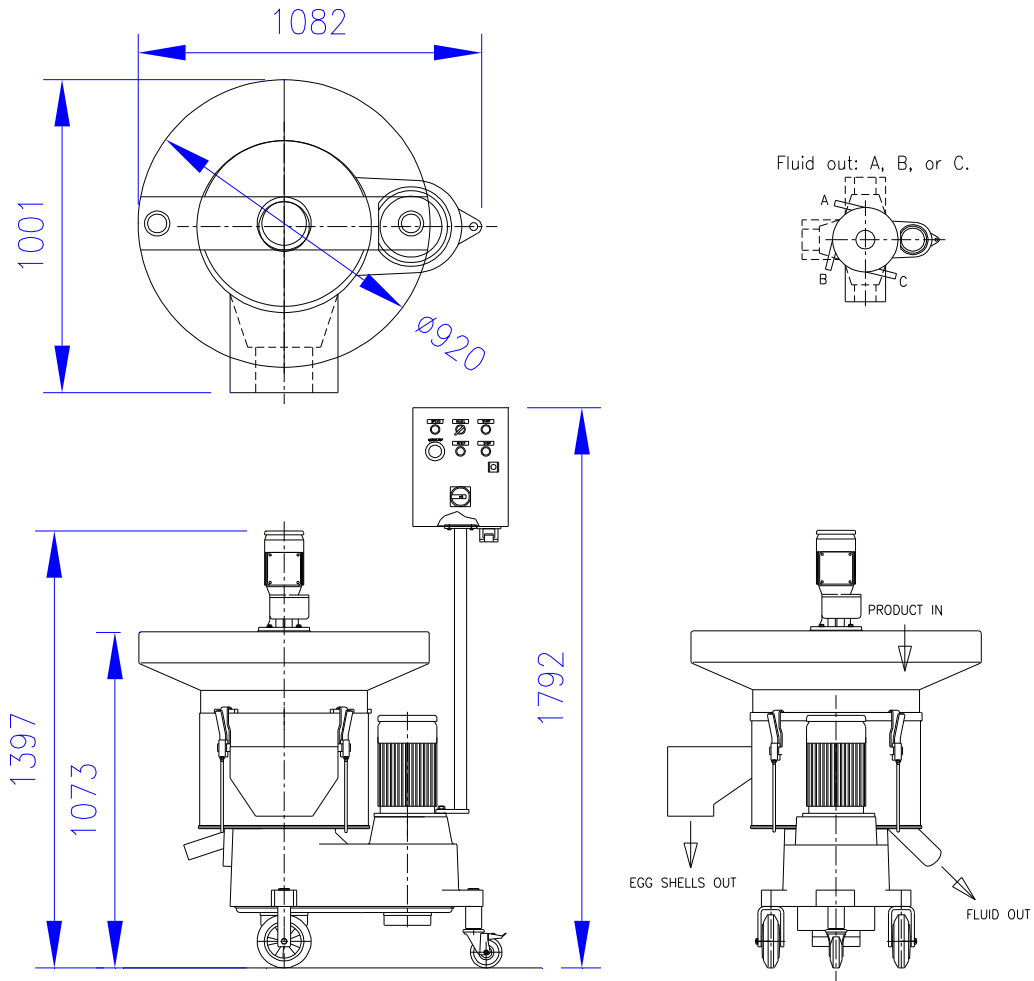
C430-V RB → max. capacity : 25.000 – 35.000 eggs/hour

Voltage : 3ph. 400V + PE
Motor : 4kW + 0,25kW



TYPE: C430-V

Electricity: *3ph.400V+N+PE 4 kW*



TYPE: C430-V-RB

Electricity: *3ph.400V+N+PE 4,25 kW*