

EGG COOKING –COLOURING AND PACKAGING MACHINES

OVOBEL supplies those machines of different capacities: 3.000 – 12.000eggs/hr

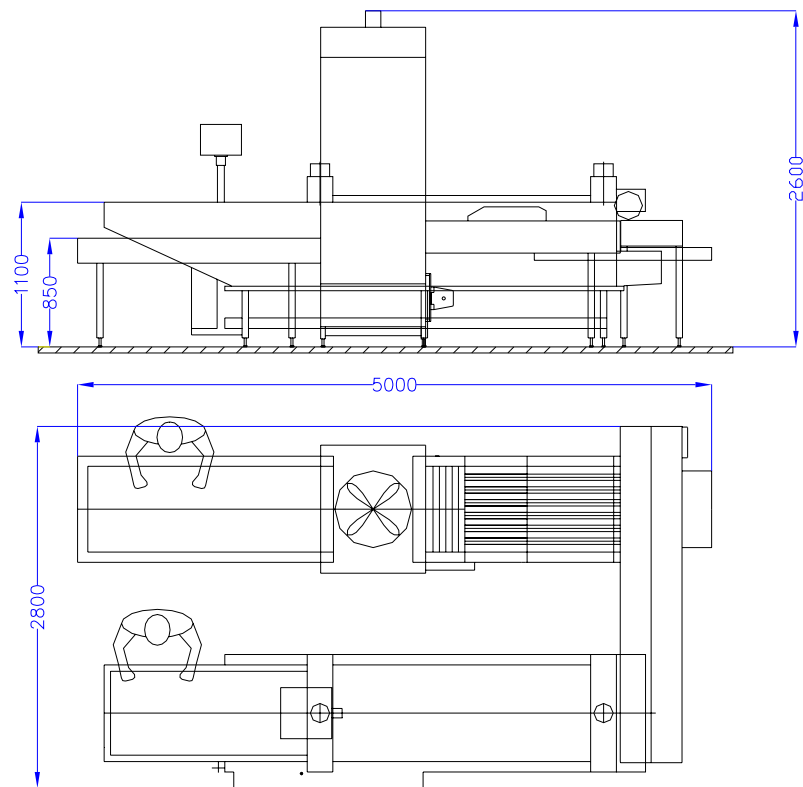


ROLL COLOURING



AIRBRUSH COLOURING



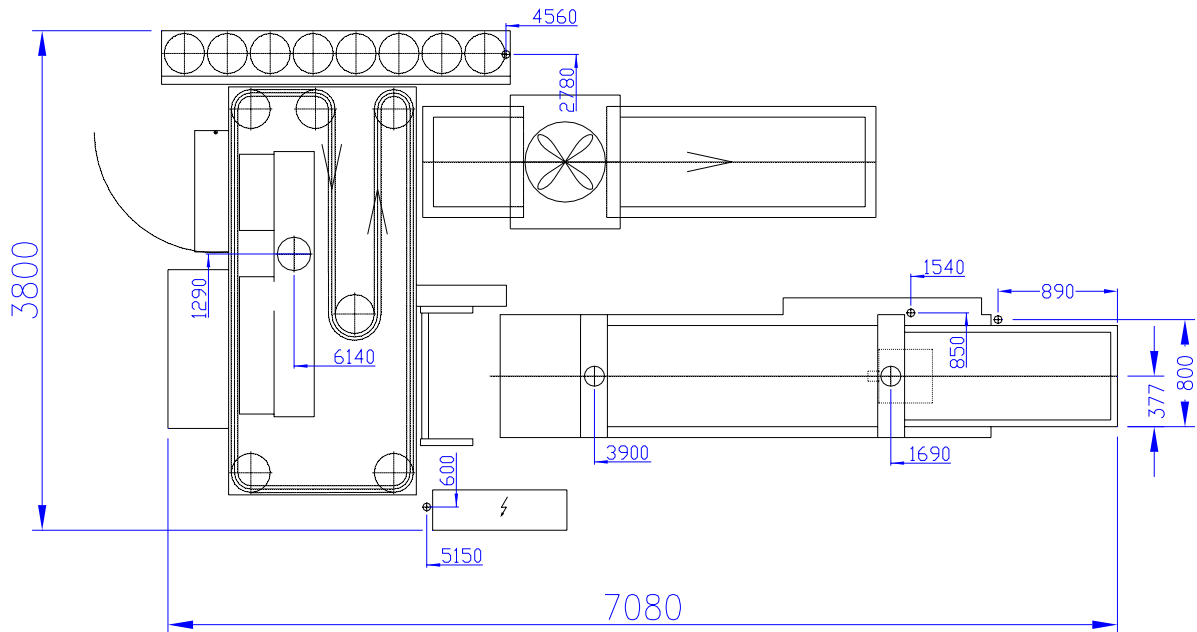


TYPE: KRF 30

Capacity: *3000 eggs per hour*

Electricity: *3ph. 230/400V+N+PE 28kW (during production 18kW)*

Cold water: *0, 1L/min (200L water content)*



TYPE: KSF 30

Capacity:	<i>3000 eggs per hour</i>
Electricity:	<i>3ph. 230/400V+N+PE 32kW (during production 22kW)</i>
Air consumption:	<i>500L/min @ 6 bar</i>
Cold water:	<i>0, 1L/min (200L water content)</i>